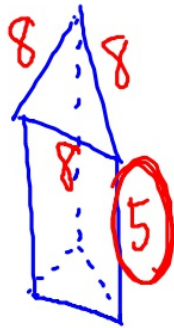
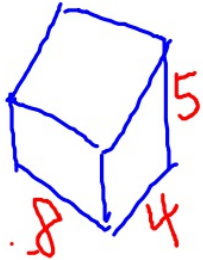


Find the volume of the composite figure.  
Round to the nearest tenth.

$$8 \cdot 5 \cdot 4 = 160$$

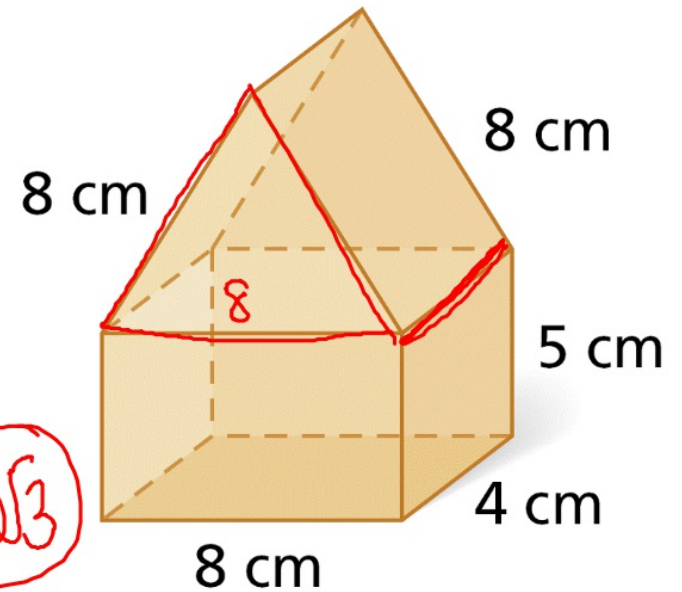


$$Bh$$

$$\frac{1}{2}(4\sqrt{3})8(5)$$

$$(5)16\sqrt{3} = 80\sqrt{3}$$

$$138.58$$



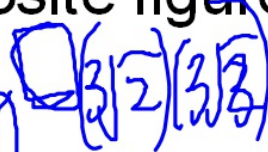
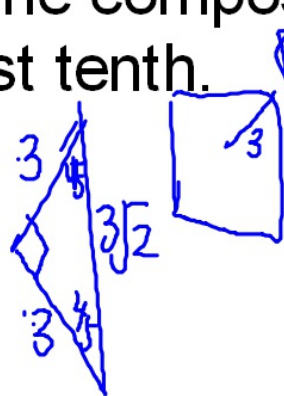
$$160 + 80\sqrt{3} = 298.6 \text{ cm}^3$$

Find the volume of the composite figure.  
Round to the nearest tenth.

$$V = \pi R^2 h$$

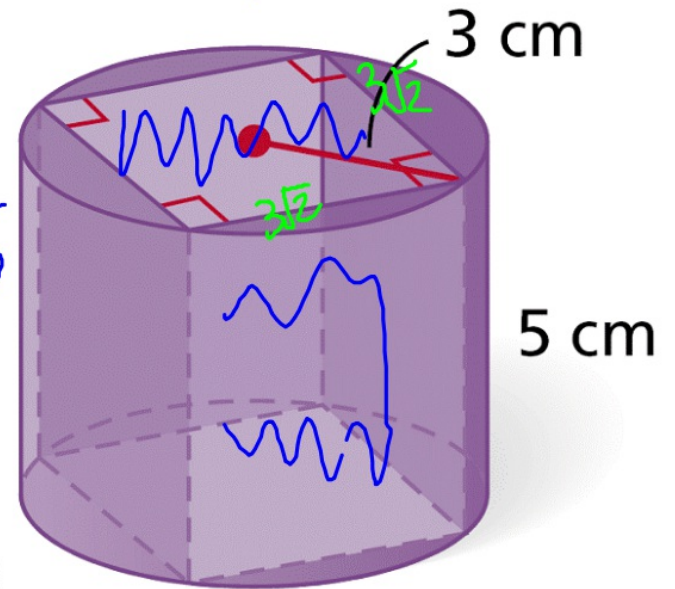
$$(\pi)3^2(5)$$

$$= 45\pi$$



$$9 \cdot 2 = 18.5$$

$$90$$



$$45\pi - 90 = 51.4 \text{ cm}^3$$

Find the volume of the composite figure.  
Round to the nearest tenth.

BIG  $\pi R^2 h$  - Small  $\pi r^2 h$

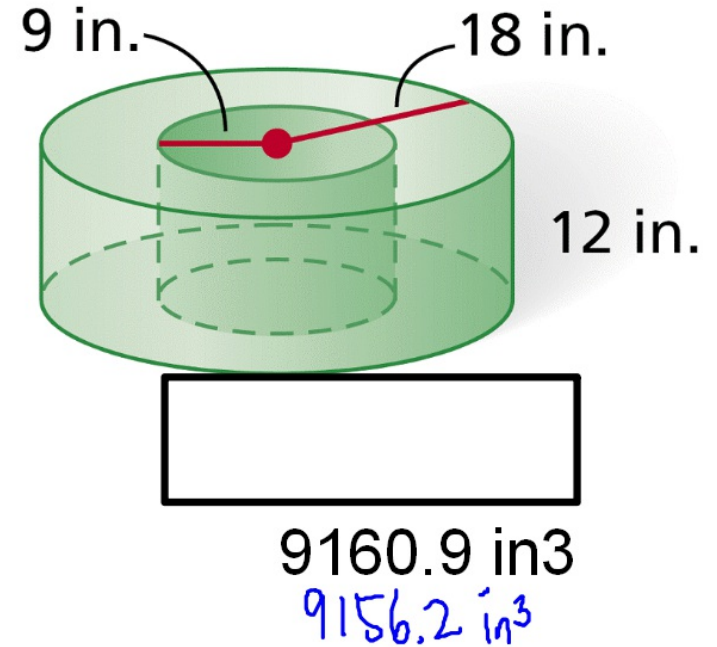
$\pi(18^2)12$   $\pi 9^2 \cdot 12$

$324 \cdot 12 \pi$   $81 \cdot 12 \pi$

$3888 \pi$

$12,208.3$  -  $3052.1$

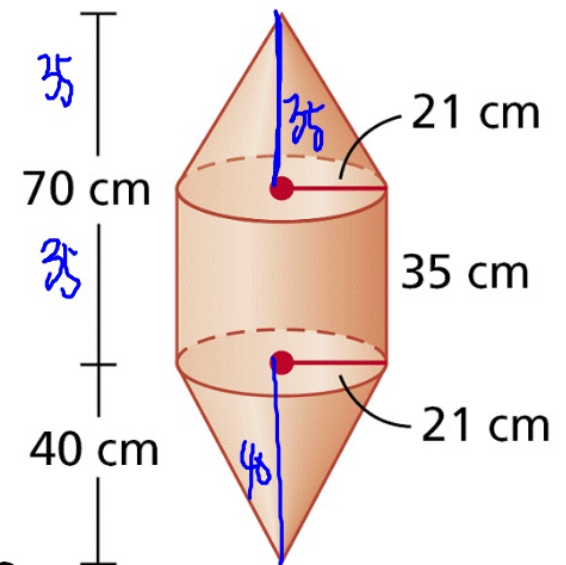
$9160.9$



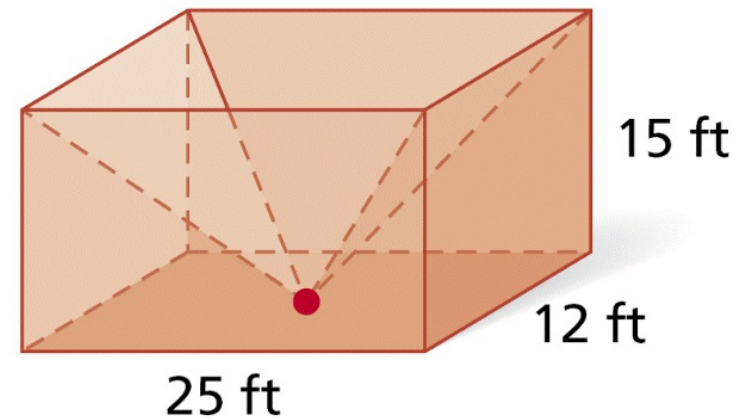
Find the volume of the composite figure.  
Round to the nearest tenth.

$\pi R^2 h$   $\frac{\pi R^2 h}{3}$   $\frac{\pi R^2 h}{3}$

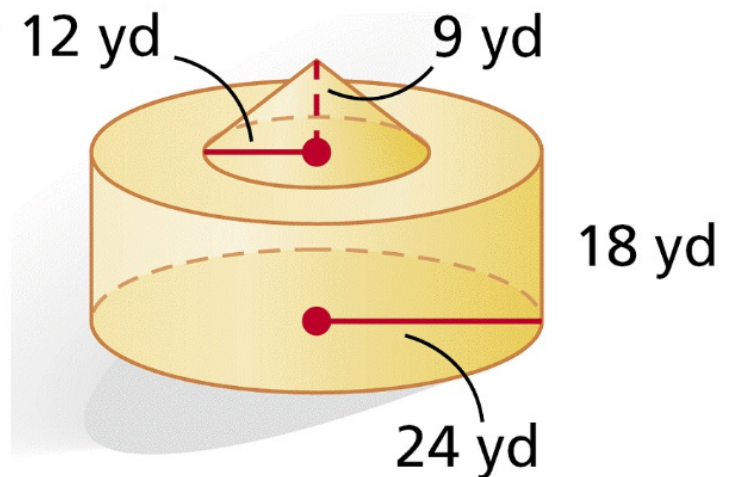
$83,126.5 \text{ cm}^3$



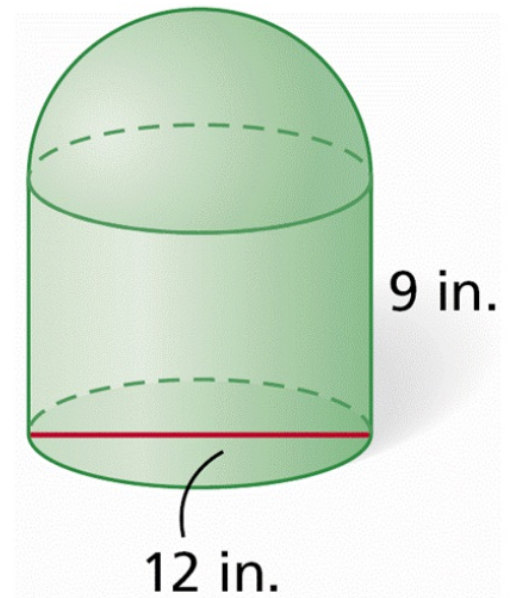
Find the volume of the composite figure.  
Round to the nearest tenth.



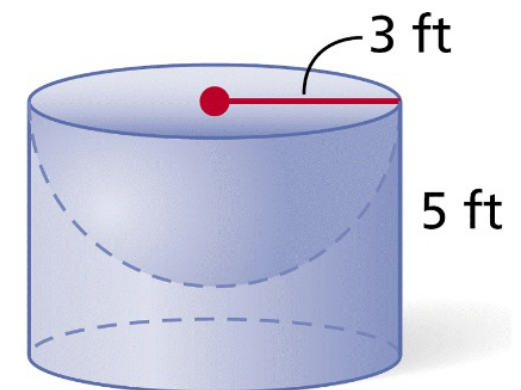
Find the volume of the composite figure.  
Leave answers in terms of pi.



Find the volume of the composite figure.  
Leave answers in terms of pi.

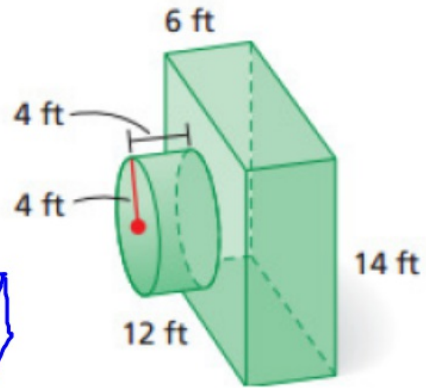


Find the volume of the composite figure.  
Leave answers in terms of pi.

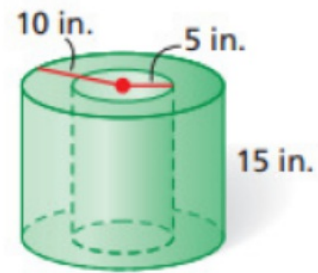


Find the volume of each composite figure. Round to the nearest tenth.

11.



12.

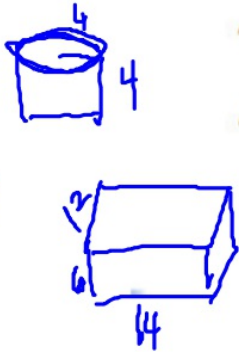


Handwritten notes for problem 11:

$$\pi R^2 h$$

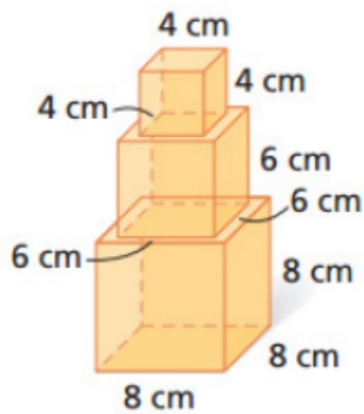
$$16.4\pi$$

$$64\pi$$

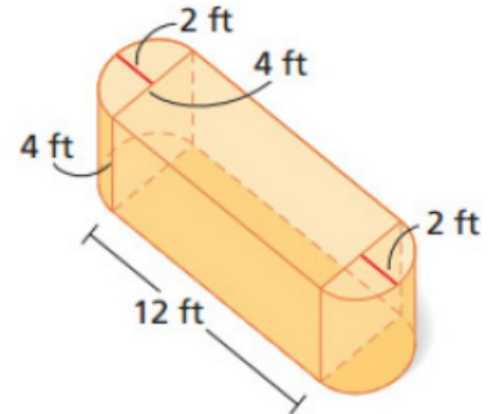


Find the volume of each composite figure.

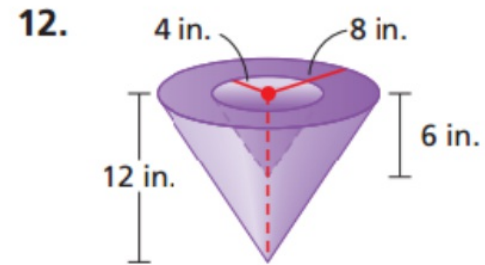
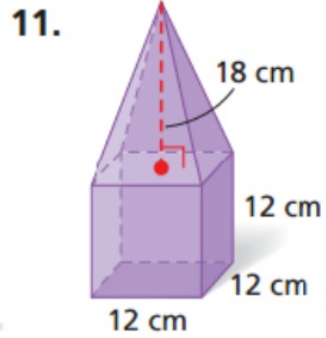
22.



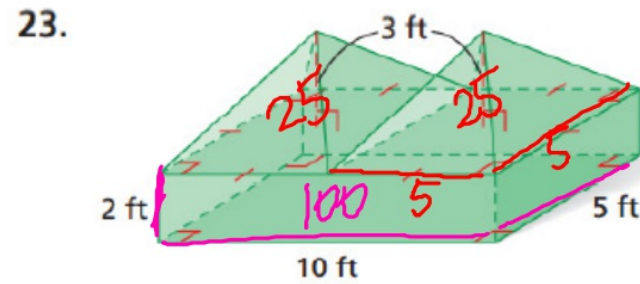
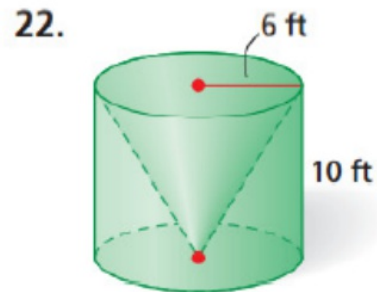
23.



Find the volume of each composite figure. Round to the nearest tenth, if necessary.



Find the volume of each composite figure. Round to the nearest tenth, if necessary.

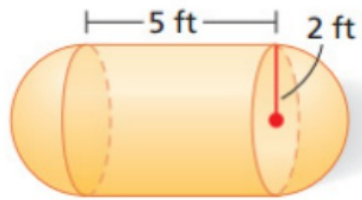




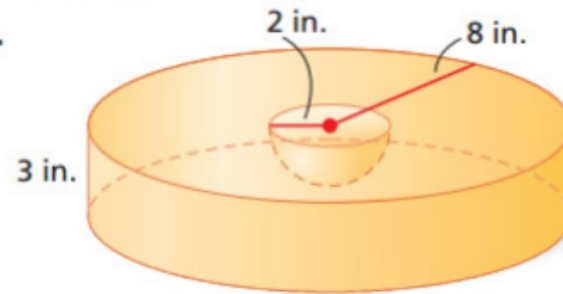
$$\frac{1}{3}(25)(3)$$

Find the ~~surface area~~ and volume of each composite figure.

11.

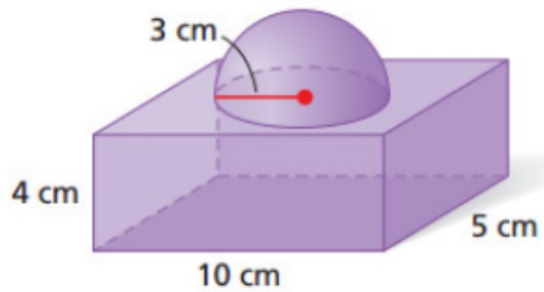


12.



Find the ~~surface area~~ and volume of each composite figure.

22.



23.

