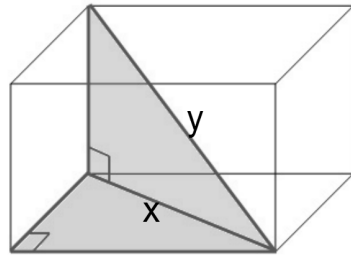
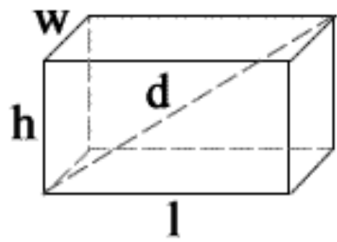


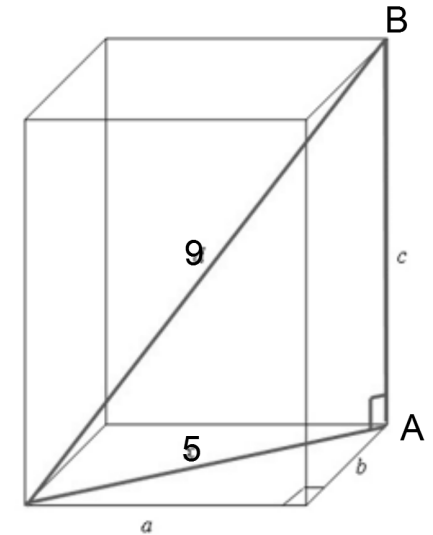
Diagonals of Prisms



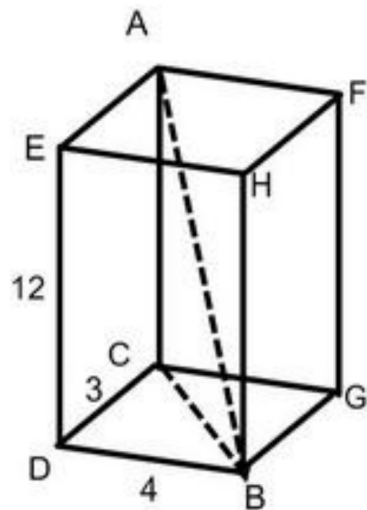
To find the length of the diagonal of the prism:

1. Find the length of the diagonal of the base (x)
2. Use that and the height to find the length of the diagonal of the prism (y)

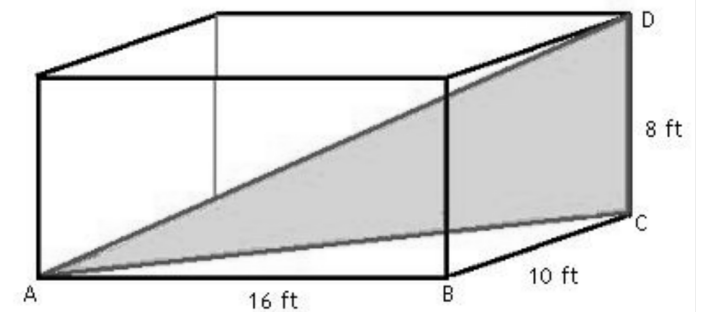
Find the height \overline{AB}



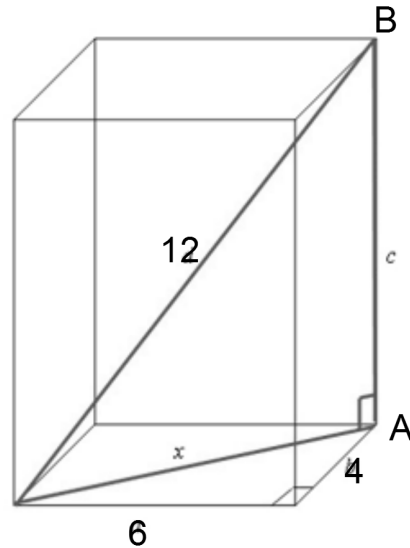
Find the length of the diagonal \overline{AB}



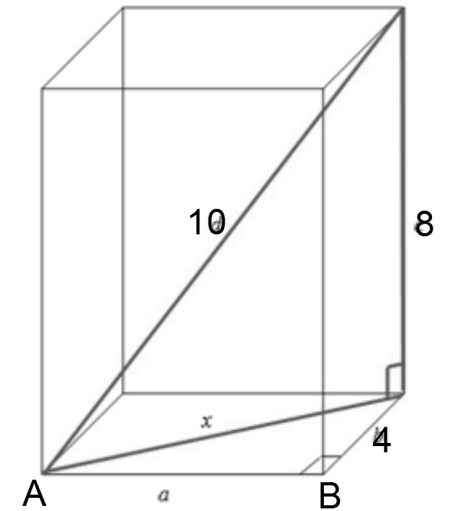
Find the length of the diagonal \overline{AD}



Find the height \overline{AB}



Find the length \overline{AB}



Answer each question. Include the correct units.

Person A worked for 5 hours and made 540 parts

Person B worked for 8 hours and made 936 parts.

Who is the more efficient worker?

You are choosing a container to store large amounts of liquid.

Container A can hold 3 ft^3 and costs \$1.25

Container B can hold 4.5 ft^3 and costs \$1.65

If you planned on buying multiple containers, which one would you choose?

Wal-Mart sells a 12-pack of hot dogs for \$8.99

Costco sells the same hot dog in a 100-pack for \$78.99

Assuming you really did need 100 hot dogs, which store should you buy the hot dogs from?

Student A typed a 620 word essay in 4 minutes.

Student B typed a 255 word essay in 1.8 minutes.

Who types faster?