

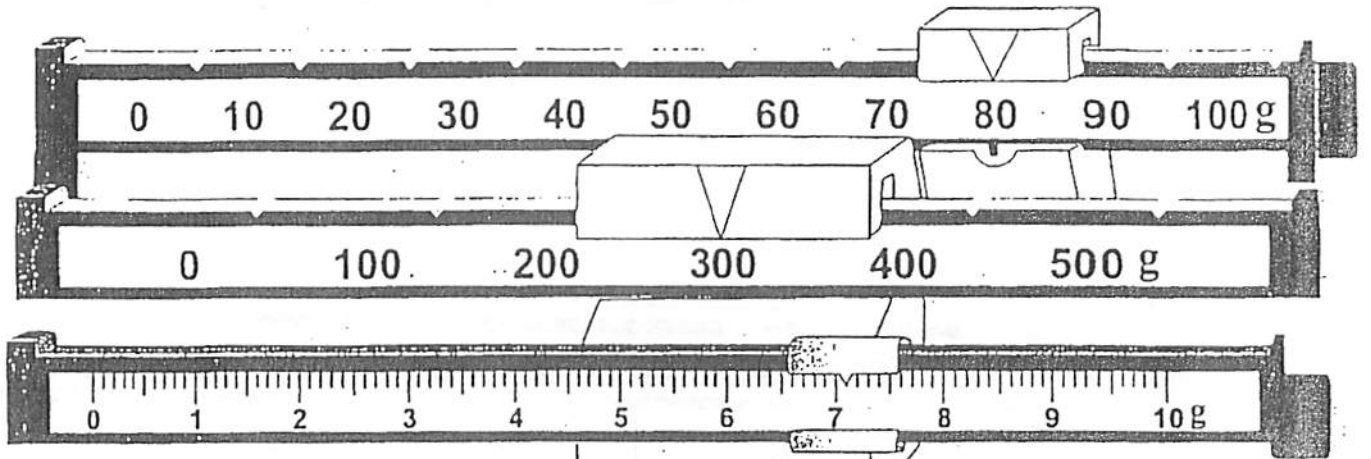
Name: \_\_\_\_\_ # \_\_\_\_\_

Date: \_\_\_\_\_

### Measuring Mass - Worksheet #2

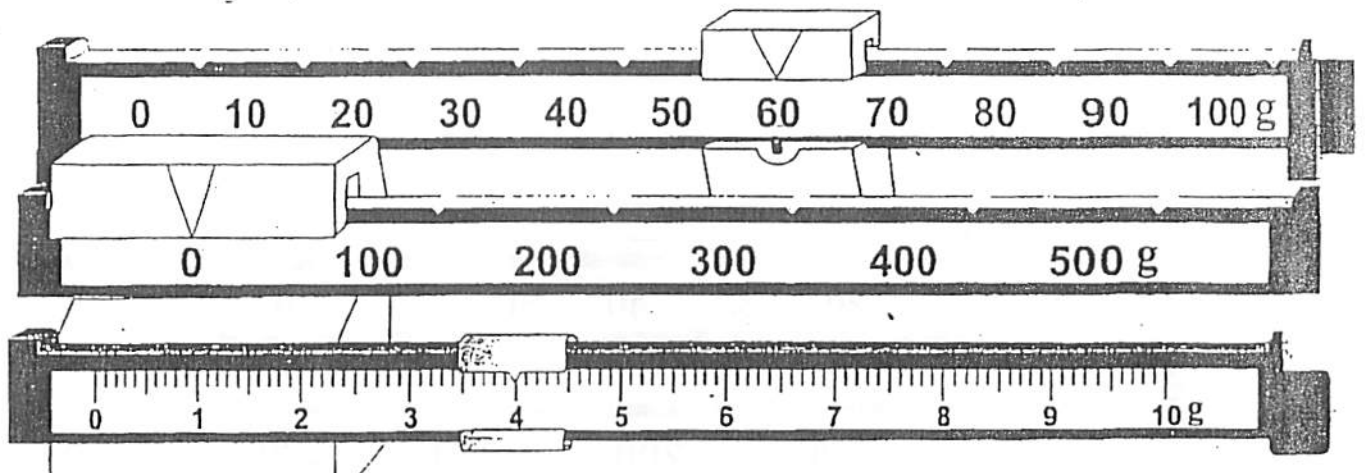
Using the scale readings below, determine the mass. Show your work and use units (g). Measure to the nearest tenth.

1)



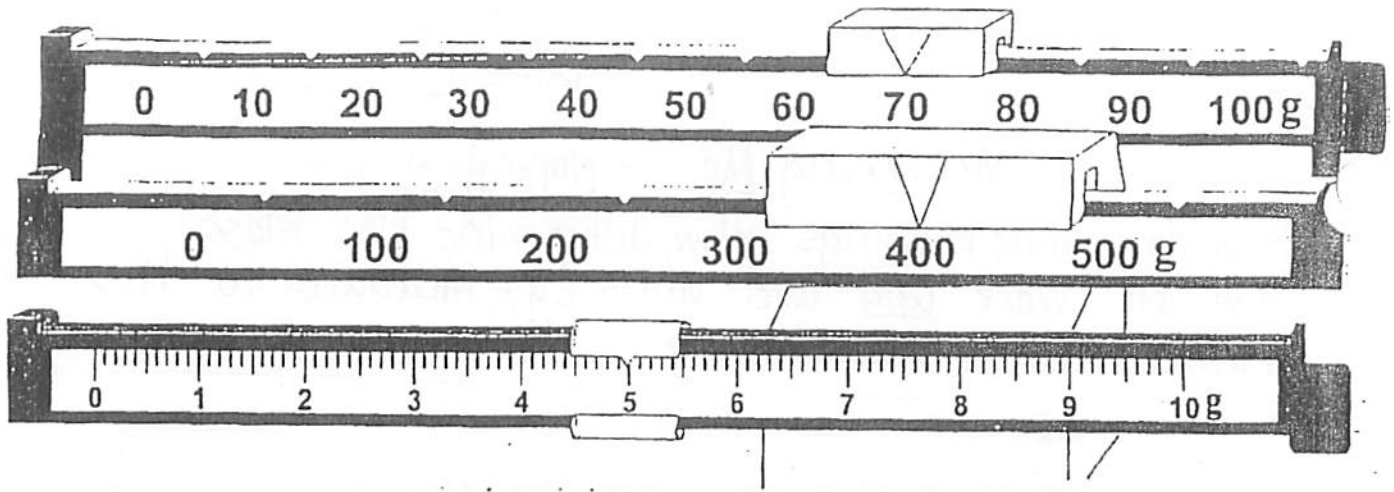
\_\_\_\_\_ g

2)

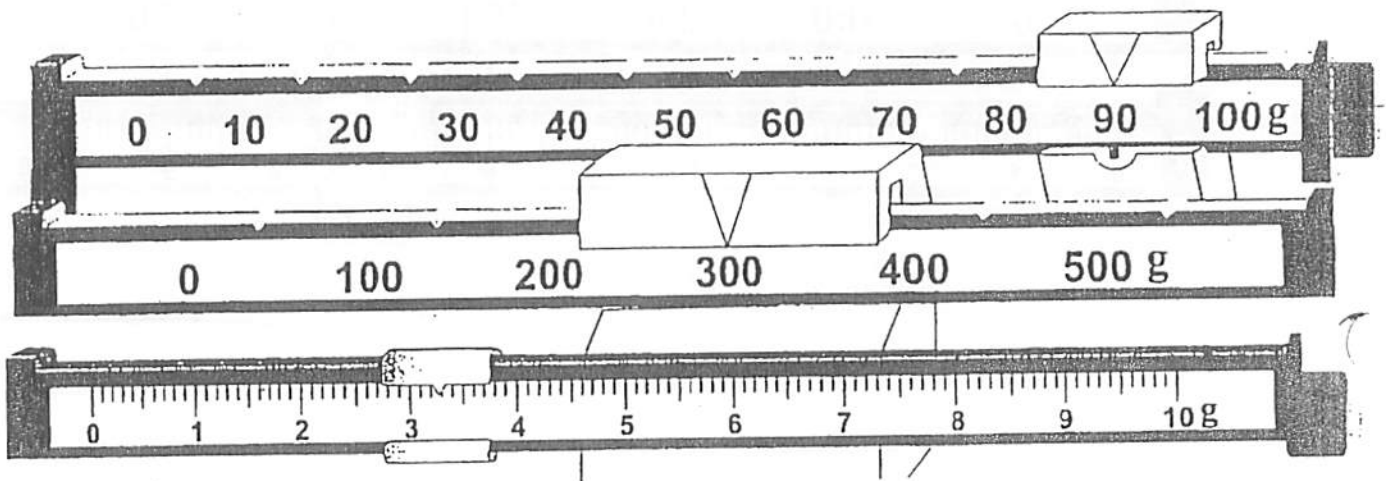


\_\_\_\_\_ g

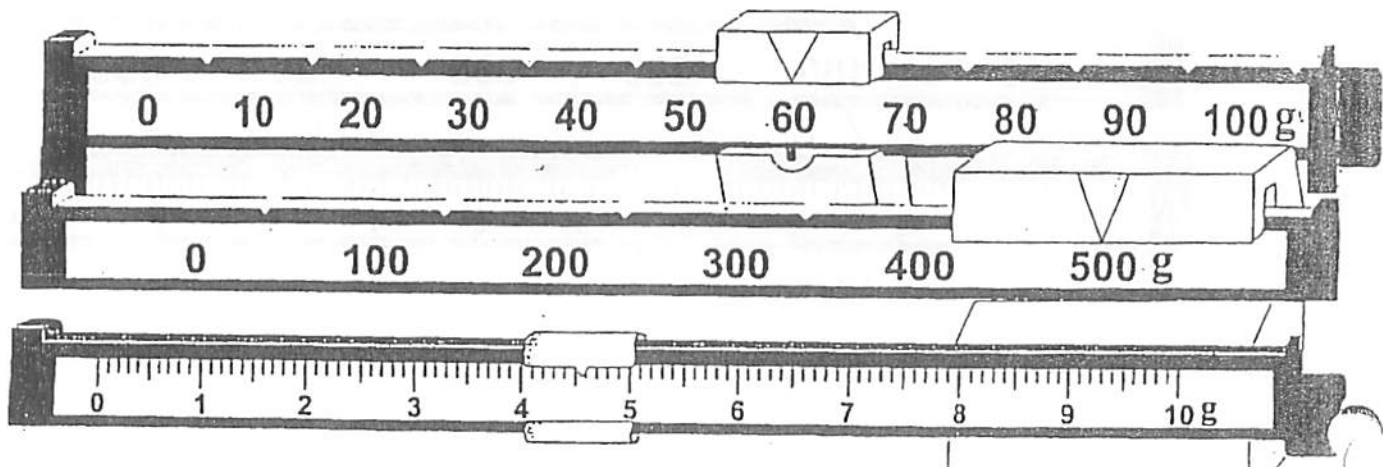
(3)



(4)



(5)



(Did you show your work? Did you use units?)