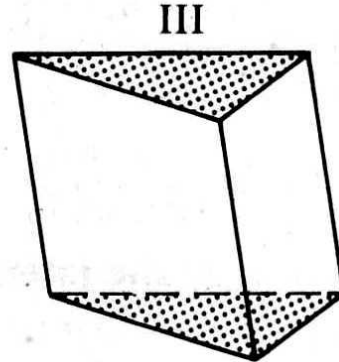
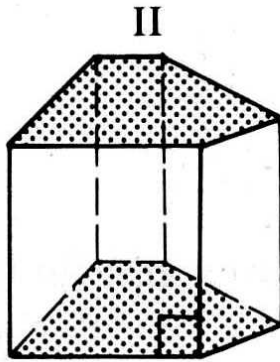
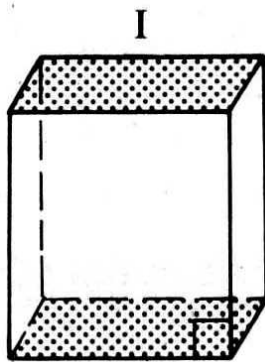


Name: _____ Date: _____ Row: _____ Period: _____

CHAPTER 12: AREAS AND VOLUMES OF SOLIDS

NOTES SECTION 12.1: PRISMS



PRISMS

Base: _____

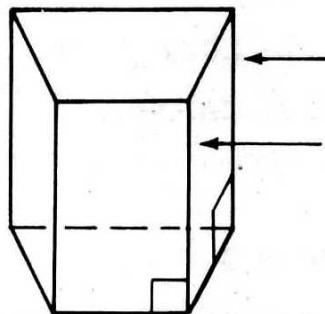
Lateral Faces & Lateral Edges: _____

Right Prism: _____

Oblique Prism: _____

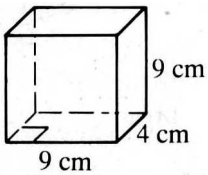
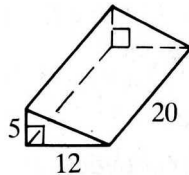
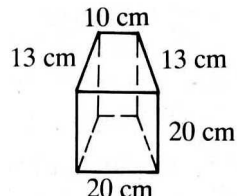
Altitude: _____

Height: _____

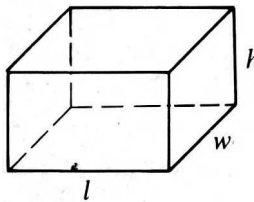


LATERAL AREA	TOTAL AREA	VOLUME
--------------	------------	--------

1-3: Find (a) the lateral area, (b) the total area, and (c) the volume of each right prism.

<p>1)</p> 	<p>2)</p> 	<p>3)</p> 
a)	a)	a)
b)	b)	b)
c)	c)	c)

4-6: Refer to rectangular solids with dimensions l , w , and h . Complete the table.

		4)	5)	6)
	l			
	w			
	h			
	LA			
	TA			
V				
4)	5)	6)		