

Geometry
12-2 Pyramids
Worksheet 12B

HW # _____

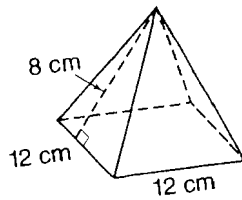
Name _____

Period _____ Column _____

SHOW WORK. Give answers in simplest form—no decimals.

Find lateral area and total area of each regular pyramid.

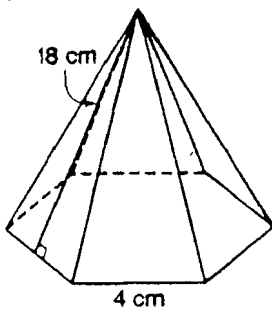
1.



L.A. =

T.A. =

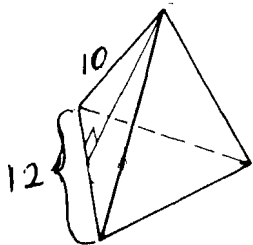
2.



L.A. =

T.A. =

3.

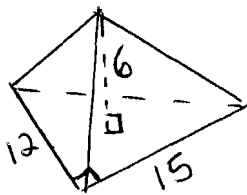


L.A. =

T.A. =

Find volume.

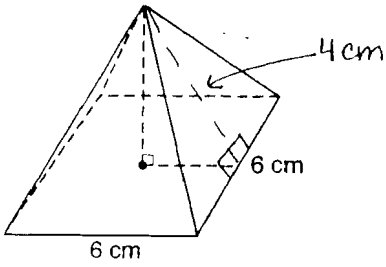
4.



V =

5. Find volume.

$V =$

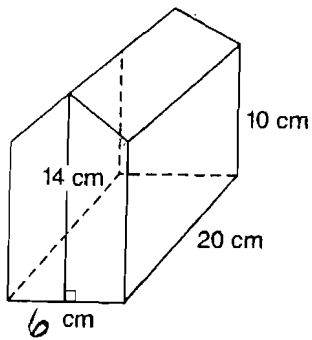


Review.

6. Find total area and volume.

T.A. =

$V =$



7. The total area of a cube is 54 in^2 . Find the length of each edge. $e =$
(draw the cube)