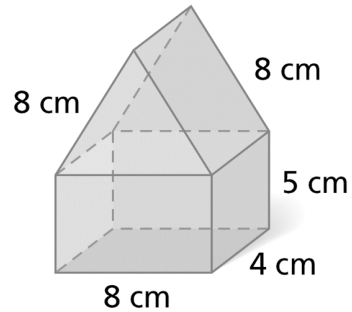
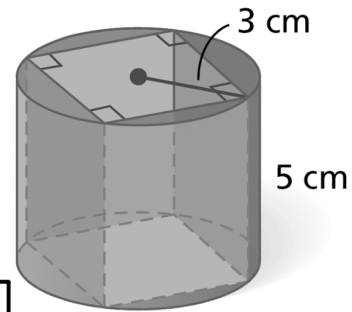


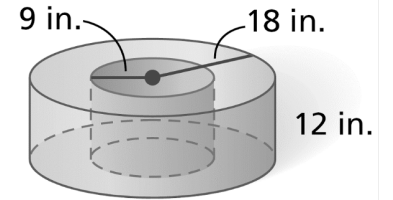
Find the volume of the composite figure.
Round to the nearest tenth.



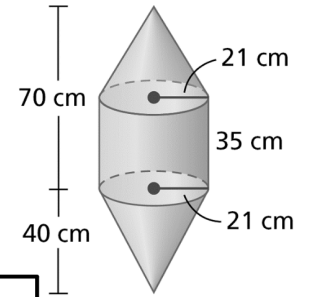
Find the volume of the composite figure.
Round to the nearest tenth.



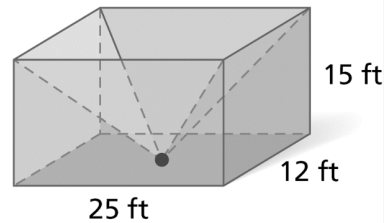
Find the volume of the composite figure.
Round to the nearest tenth.



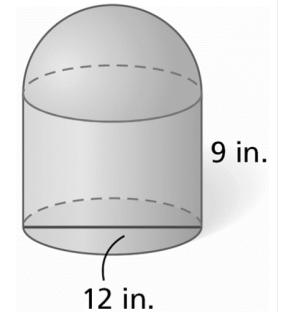
Find the volume of the composite figure.
Round to the nearest tenth.



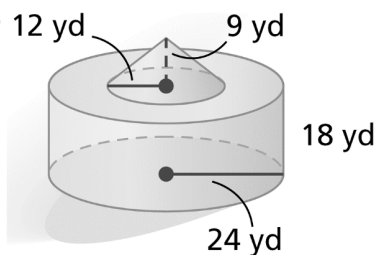
Find the volume of the composite figure.
Round to the nearest tenth.



Find the volume of the composite figure.
Leave answers in terms of pi.



Find the volume of the composite figure.
Leave answers in terms of pi.



Find the volume of the composite figure.
Leave answers in terms of pi.

