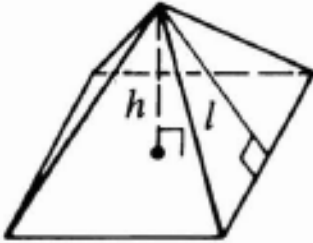
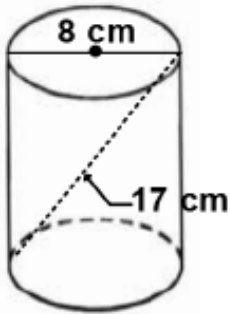


1. Find volume and surface area for a regular square pyramid with base perimeter 64 ft and slant height 10 ft.

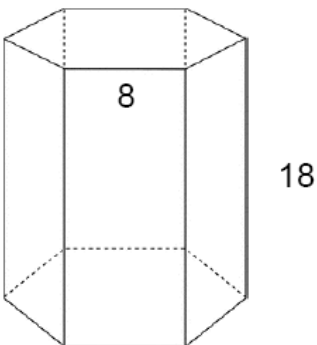


2. Find the surface area in terms of π .

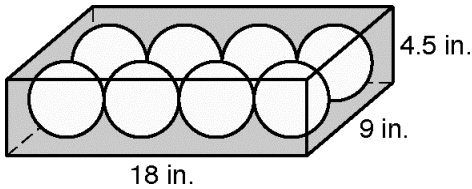


3. The volume of a sphere is $\frac{32}{3}\pi \text{ in}^3$. Find the surface area of the sphere in terms of π .

4. Find the exact surface area and volume of the hexagonal prism. (no decimals)

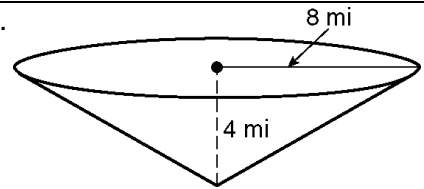


5. Eight bocce balls are in a box 18 inches long, 9 inches wide, and 4.5 inches deep. If each ball has a diameter of 4.5 inches, what is the volume of the space around the balls? Round to the nearest tenth.

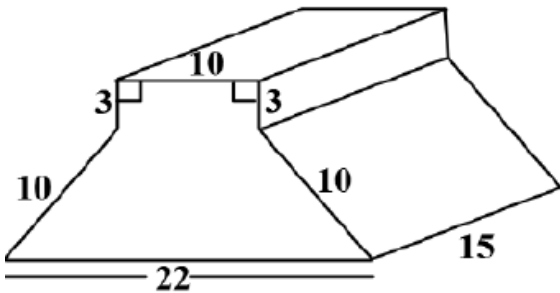


6. Describe the effect of each change on the volume of the cone.

- The radius and height are doubled.
- The radius and height are divided by 4.



7. Find the volume of the prism.



8. Water is pouring into a cone-shaped reservoir at a rate of 1.8 m^3 per minute. Find, to the nearest minute, the number of minutes it will take to completely fill the reservoir.

