

Algebra Bellwork - October 4, 2011

Simplify:

1. $\frac{2}{5}(5w + 10)$

2. $8m^2 - 5mz + 4mz - m^2 + 4$

Check your work:

15) $7t - 28$

16) $-2n + 12$

17) $3m + 12$

18) $b - \frac{4}{5}$

19) $-2x - 6$

20) $4y + 6$

31) $-6k - 5$

32) $-7x + 2$

33) $-2 + 7x$

34) $-4 + z$

35) $4m - 8$

68) $-76p^2 - 20p - 9$

73) $7m^2 - mz + 4$

74) $19 - 17t + 6y$

Algebra Bellwork - October 4, 2011

Simplify:

1. $\frac{2}{5}(\frac{5w}{1} + \frac{10}{1})$

~~$\frac{2 \cdot 10w}{1 \cdot 5} + \frac{4 \cdot 20}{1 \cdot 5}$~~

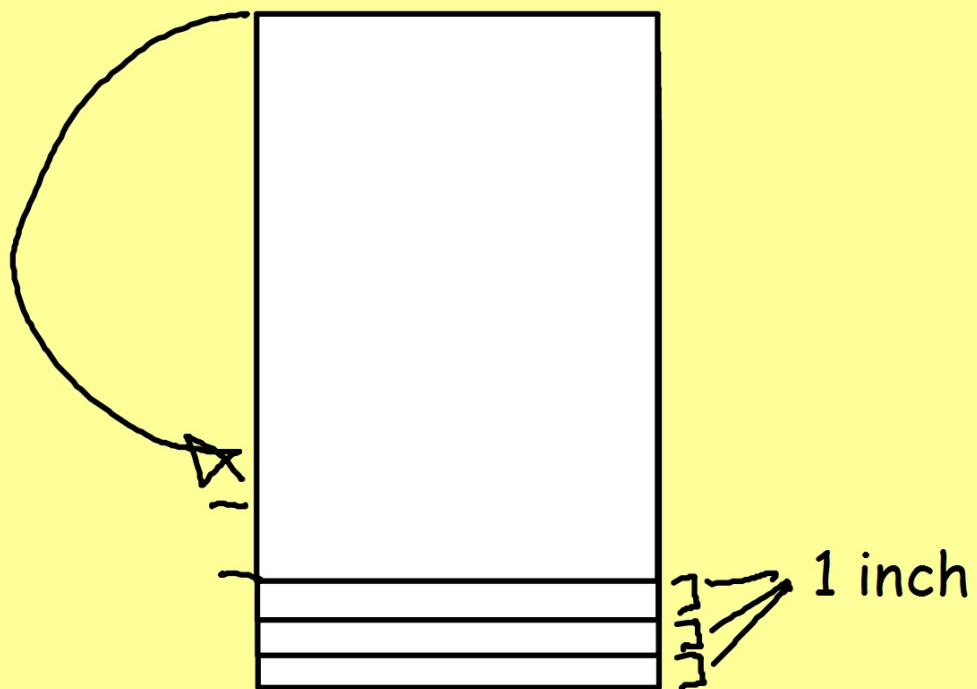
$2w + 4$

$\frac{2 \cdot 10w}{5 \cdot 1} + \frac{2 \cdot 10}{5 \cdot 1}$
 $\frac{20w + 20}{5}$
 $4w + 4$

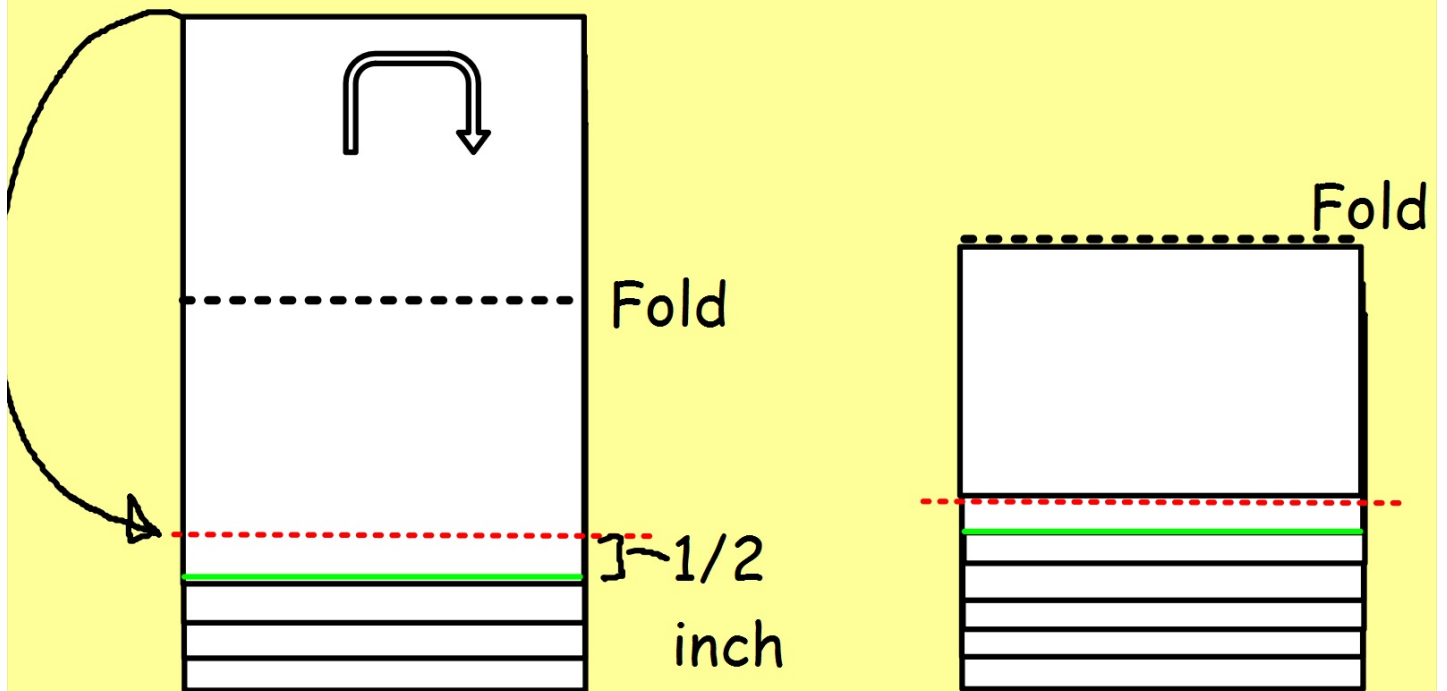
2. $\frac{8m^2}{1} - \frac{5mz}{1} + \frac{4mz}{1} - \frac{m^2}{1} + 4$

$7m^2 - 1mz + 4$

Stack 4 Pieces of Paper leaving an
inch at the bottom of each



Fold the whole stack down, but not all the way to the bottom of the top sheet.



Staple

Staple

Cut

	SKIP
	SKIP
	Order of Op.

Order of Operations

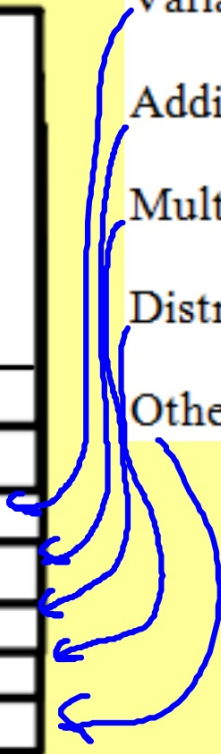
Variables/Expressions

Adding/Subtracting

Multiplying/Dividing/Fractions

Distributive Property

Other Properties



PEMDAS

Left to right

Examples

1. Order of ops.

Order of Operations

Variables/Expressions

Adding/Subtracting

Multiplying/Dividing/Fractions

Distributive Property

Other Properties