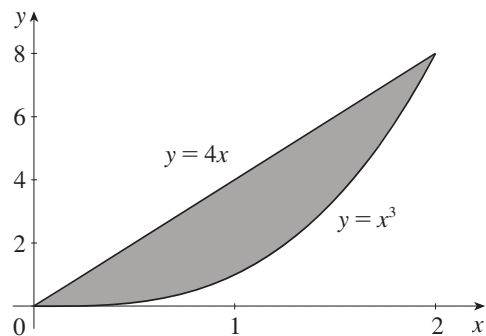


GROUP WORK I, SECTION 6.2
The Revolution Will Not Be Televised

Consider the following region:



For each problem below, set up an integral to compute the volume of the solid obtained by rotating this region about the given line.

1. The x -axis

2. $y = -1$

3. $y = 9$

4. The y -axis

5. $x = 2$

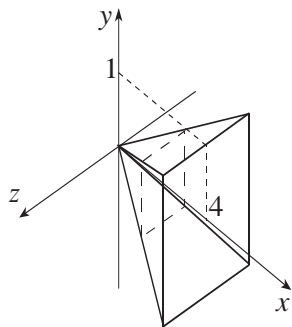
6. $x = -1$

GROUP WORK 3, SECTION 6.2

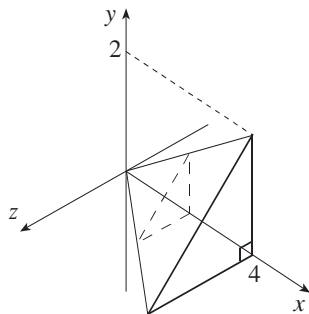
Geometric Volumes

Find the volume of the solids below whose cross-sections perpendicular to the x -axis are

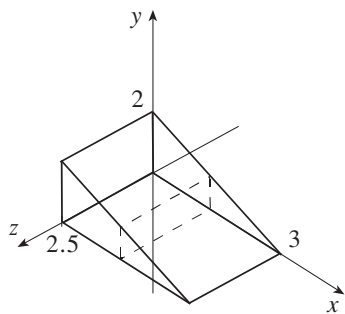
1. squares



2. isosceles right triangles



3. rectangles



4. half-circles

