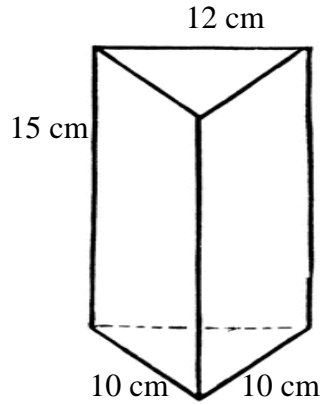


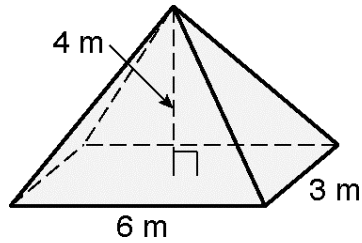
Chapter 11

#1-5: Give answers in simplest form. No decimals!

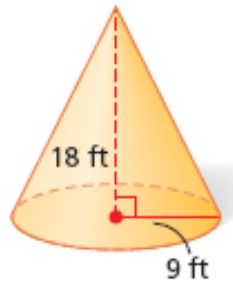
1. Find the volume of the triangular prism.



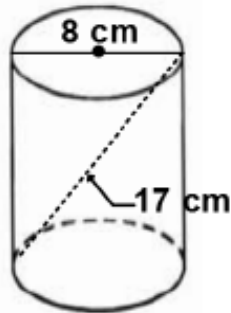
2. Find the volume of the rectangular pyramid.



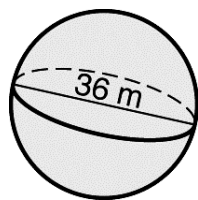
3. Find the volume of the cone.



4. Find the volume of the cylinder.



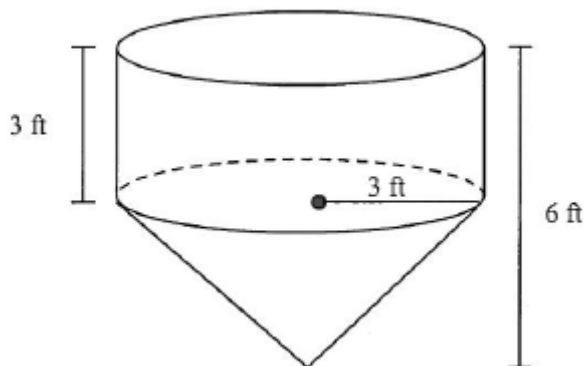
5. Find the volume and surface area of the sphere.



6. A fish tank is in the shape of a rectangular prism. The dimensions of the tank are length 38 in., width 17 in., and height 18 in. To the nearest gallon, how many gallons of water can the fish tank hold? (1 gallon \approx 0.134 ft³)

7. The surface area of a sphere is 64π cm². Find the exact volume of the sphere in terms of π .

8. Find the volume of the composite figure. Round to the nearest tenth of a ft³.



Prism Volume = Bh

Cylinder Volume = $\pi r^2 h$

Sphere Surface Area = $4\pi r^2$

Pyramid Volume = $\frac{1}{3}Bh$

Cone Volume = $\frac{1}{3}\pi r^2 h$

Volume = $\frac{4}{3}\pi r^3$