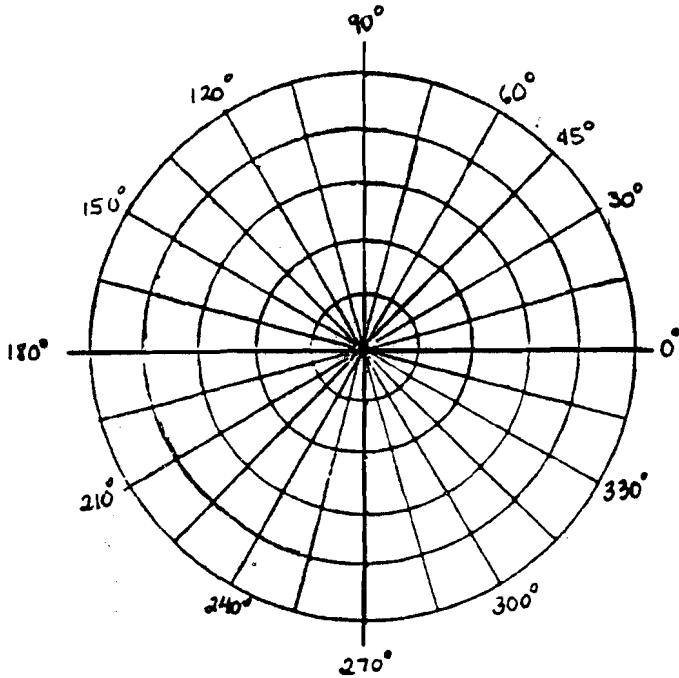
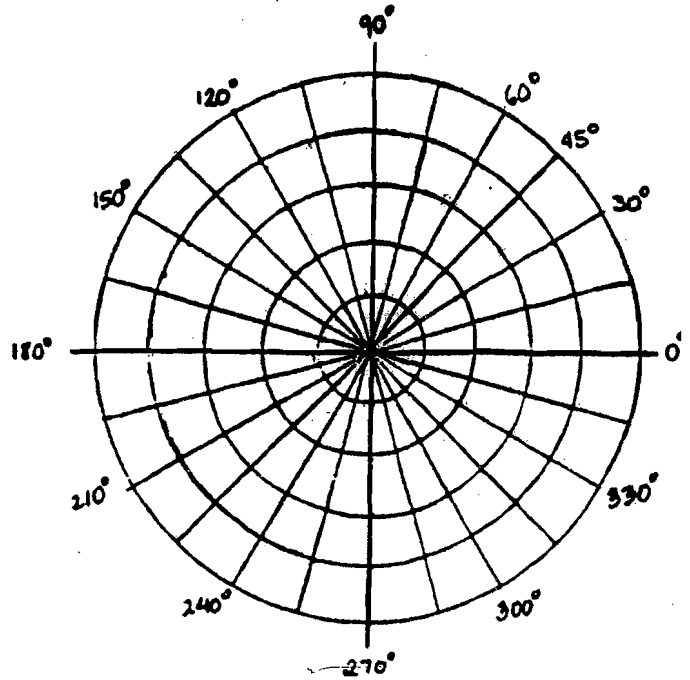


#1-3: Work (tables of points) for these graphs must be shown on your own paper (attach to this homework).

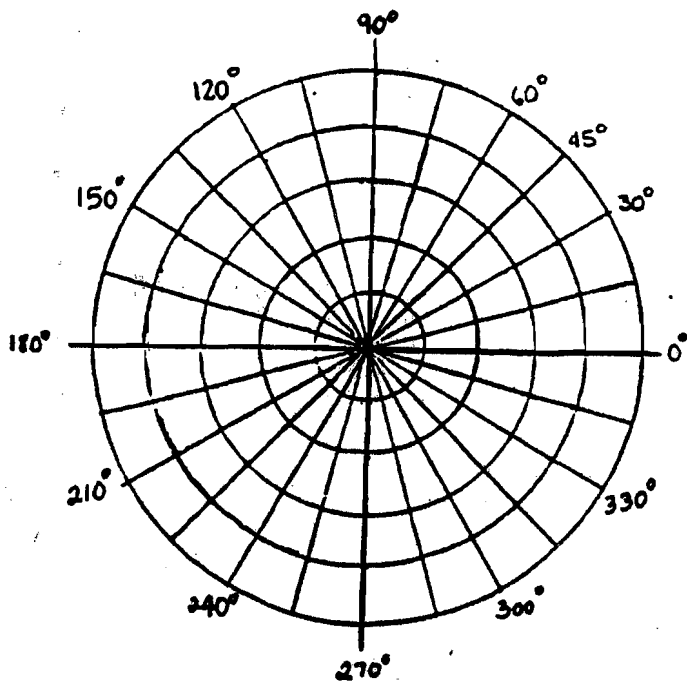
1. Graph: $r = 3 \sin \theta$



2. Graph: $r = 1 + 2 \cos \theta$



3. Graph: $r = 2 \cos 3\theta$



Use increments of 30° for your tables of points for #1 + 2.
Use increments of 15° for your table of points for #3.

Review

Use DeMoivre's Theorem to find the following powers. Give answers in $x + yi$ form.

4. $(-1+i)^9$

5. $(-2\sqrt{3}+2i)^5$

6. Find a rectangular equation for $r = \frac{3}{1 + \cos \theta}$. Simplify the equation to eliminate radicals and identify the curve.