

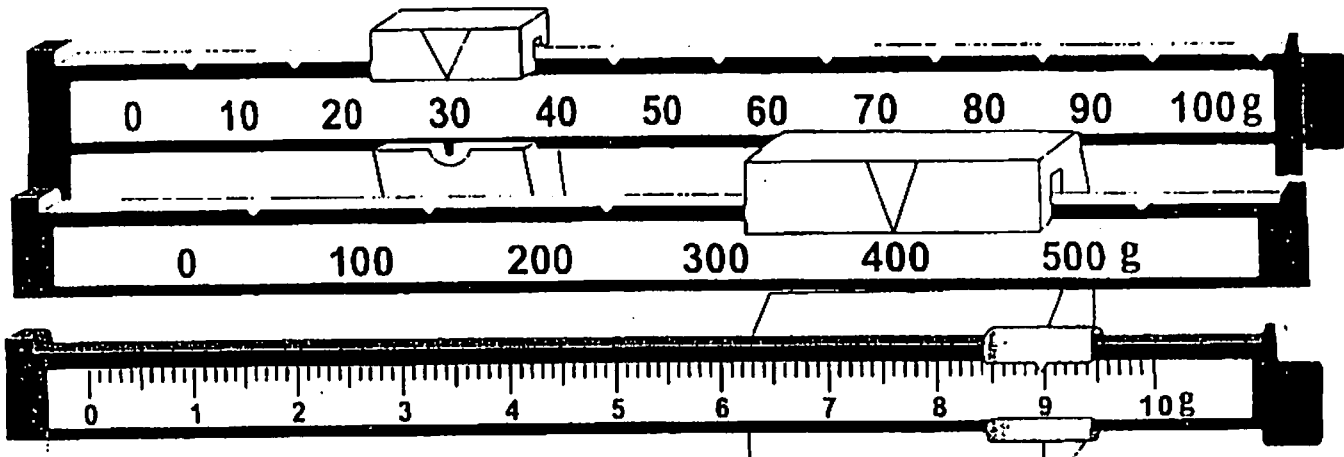
Name: \_\_\_\_\_ # \_\_\_\_\_

Date: \_\_\_\_\_

### Measuring Mass

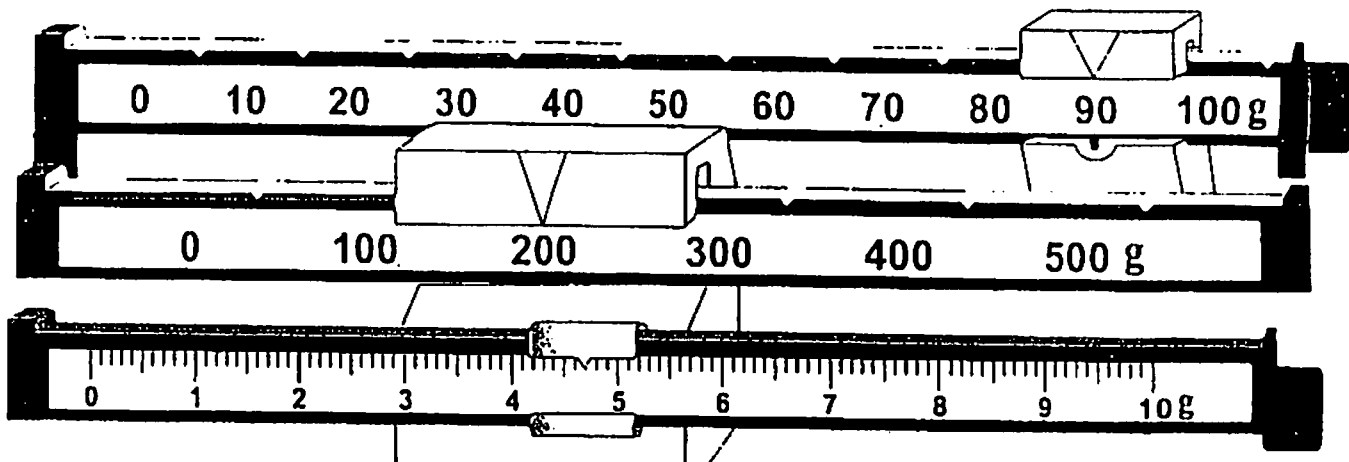
Using the scale readings below, determine the mass. Show your work and use units (g). Measure to the nearest tenth.

①



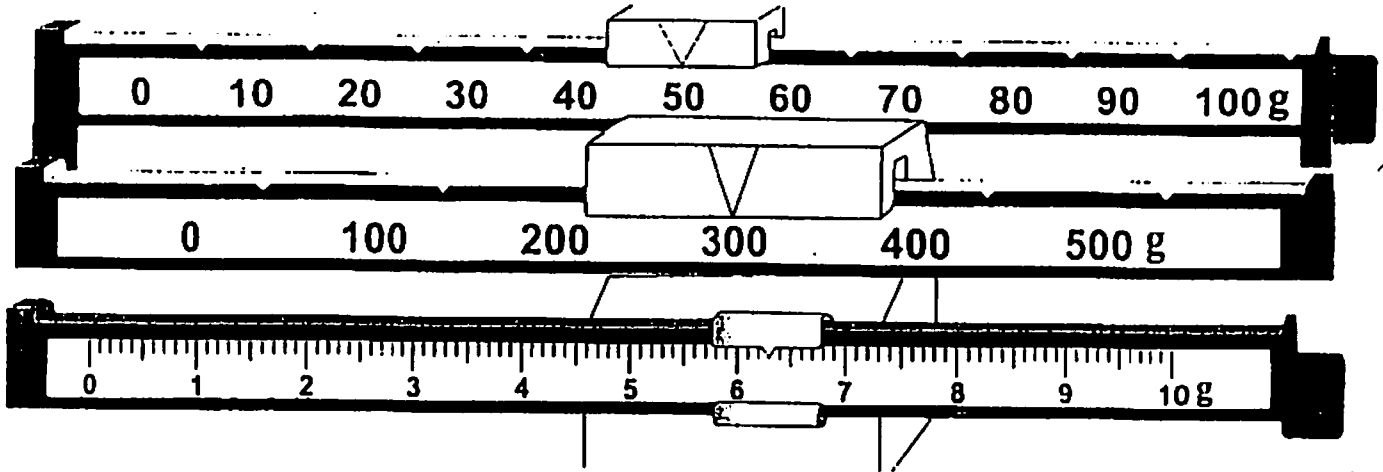
\_\_\_\_\_ g

)

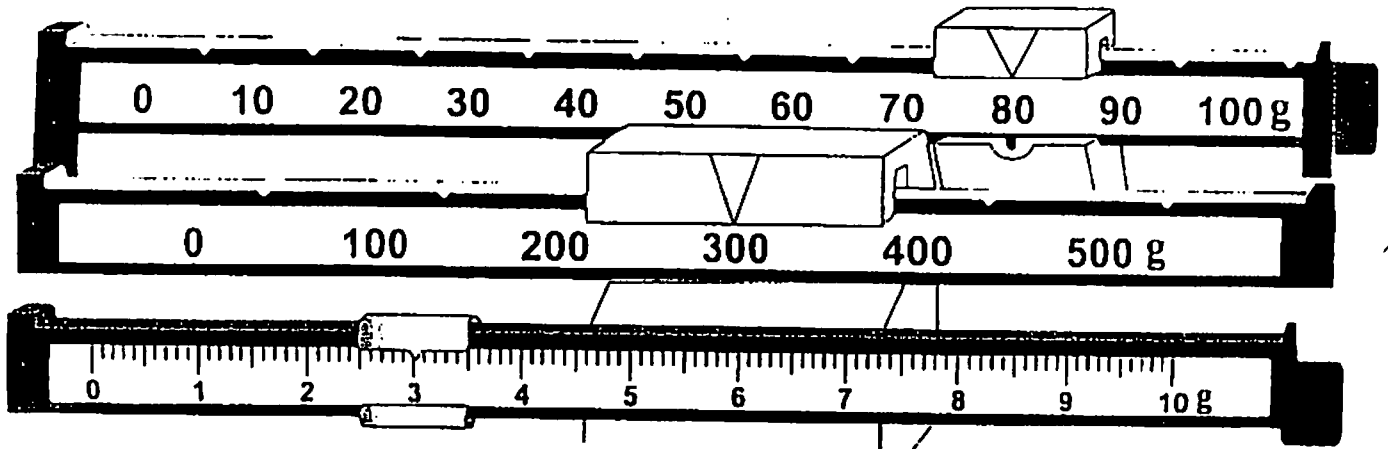


\_\_\_\_\_ g

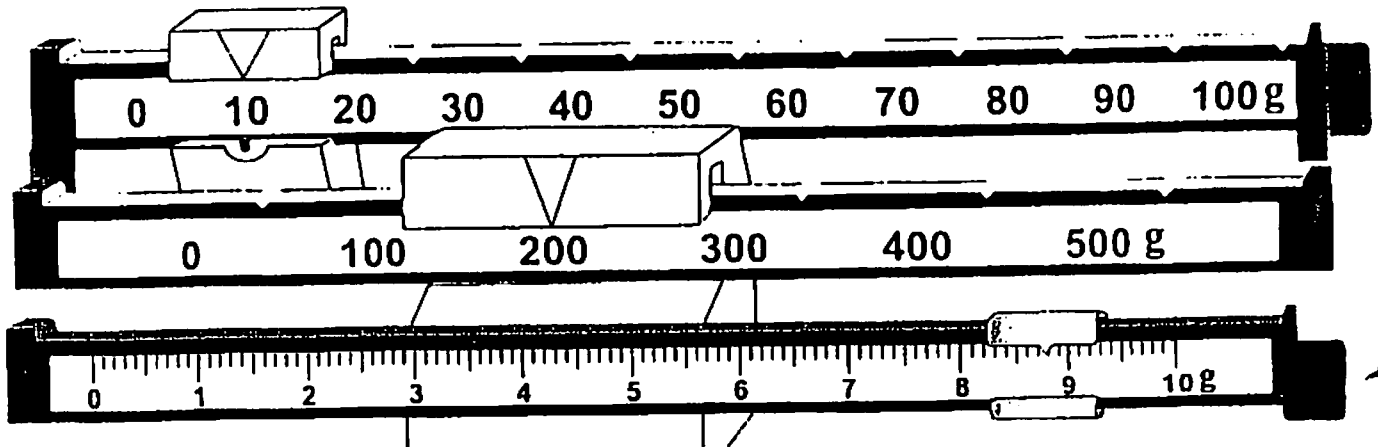
3)



4)



5)



(Did you use units? Did you show your work?)