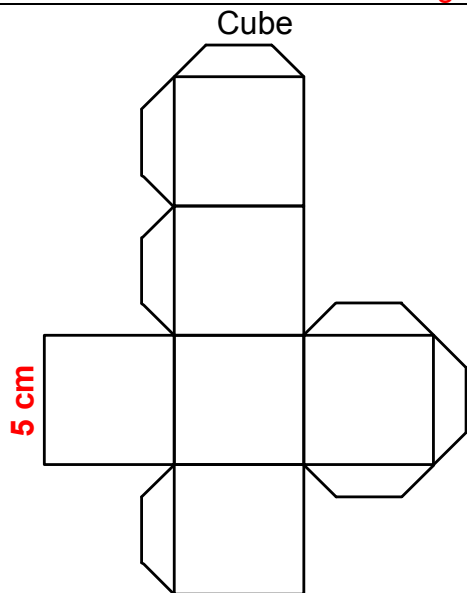
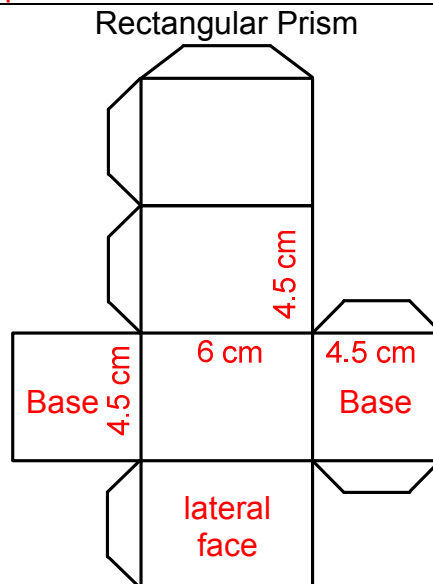


Templates for Three-Dimensional Figures **KEY**

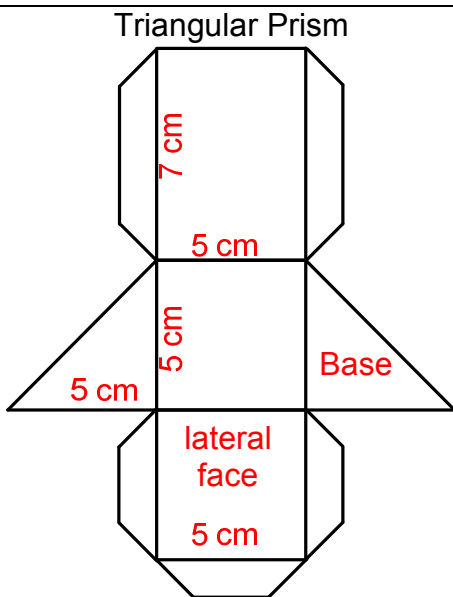
Note: The dimensions shown on each net were measured to the nearest half of a centimeter. Changes in the dimensions may occur when the nets are copied. A small diagram of each net with the measured dimensions given in centimeters is provided below.



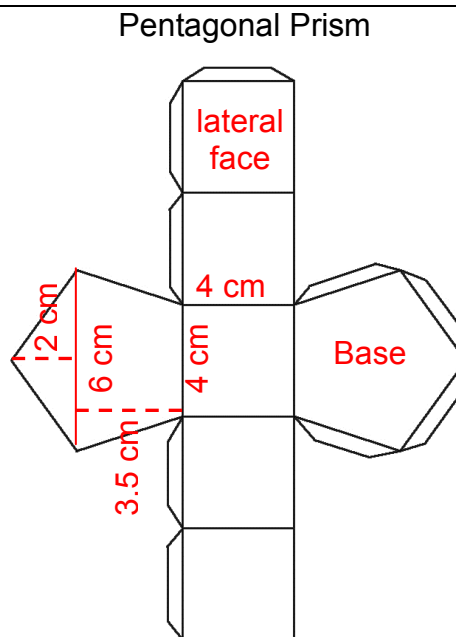
Bases and lateral faces: 6 congruent squares
 Each side of the cube = 5 cm



Base: 2 congruent squares – 4.5 cm x 4.5 cm
 Lateral rectangular faces – 4 rectangles:
 4 congruent rectangles – 4.5 cm x 6 cm



Base: 2 congruent right triangles:
 Base of triangle = 5 cm height of triangle = 5 cm
 Lateral rectangular faces – 3 rectangles:
 2 congruent squares: 5 cm x 5 cm
 1 rectangle: 5 cm x 7 cm

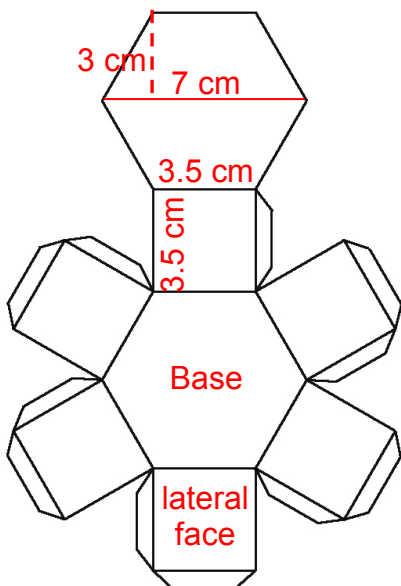


Base: 2 congruent pentagons
 Divided pentagon into a triangle and trapezoid:
 Base of triangle = 6 cm height of triangle = 2 cm
 Trapezoid: $b_1 = 4$ cm; $b_2 = 6$ cm; $h = 3.5$ cm
 Lateral rectangular faces – 5 rectangles:
 5 congruent squares: 4 cm x 4 cm

Templates for Three-Dimensional Figures **KEY**

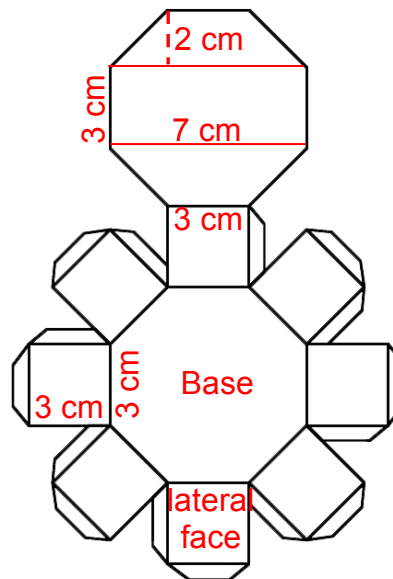
Note: The dimensions shown on each net were measured to the nearest half of a centimeter. Changes in the dimensions may occur when the nets are copied. A small diagram of each net with the measured dimensions given in centimeters is provided below.

Hexagonal Prism



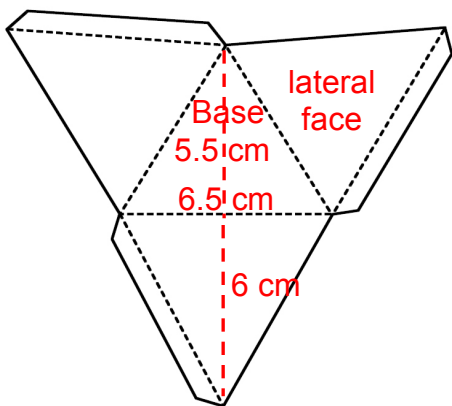
Base: 2 congruent hexagons
 Divided hexagon into 2 congruent trapezoids:
 Trapezoid: $b_1 = 3.5$ cm; $b_2 = 7$ cm; $h = 3$ cm
 Lateral rectangular faces – 6 rectangles:
 6 congruent squares: 3.5 cm x 3.5 cm

Octagonal Prism



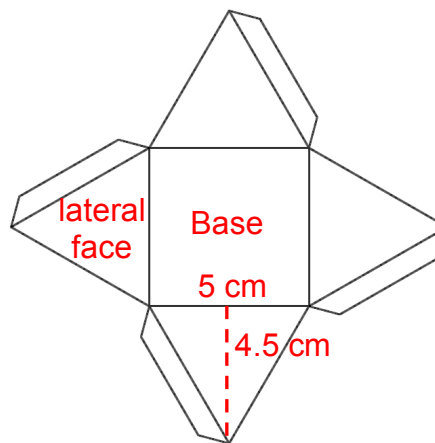
Base: 2 congruent octagons
 Divided octagon into 2 congruent trapezoids and
 1 rectangle:
 Trapezoid: $b_1 = 3$ cm; $b_2 = 7$ cm; $h = 2$ cm
 Rectangle: 3 cm x 7 cm
 Lateral rectangular faces – 8 rectangles:
 8 congruent squares: 3 cm x 3 cm

Triangular Pyramid



Base: 1 equilateral triangle:
 Base = 6.5 cm; height = 5.5 cm
 Lateral triangular faces – 3 congruent triangles:
 Base = 6.5 cm; height = 6 cm

Rectangular Pyramid

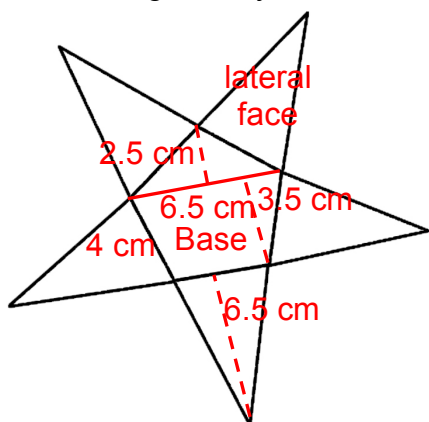


Base: rectangle:
 1 square: 5 cm x 5 cm
 Lateral triangular faces – 4 congruent triangles:
 Base = 5 cm; height = 4.5 cm

Templates for Three-Dimensional Figures **KEY**

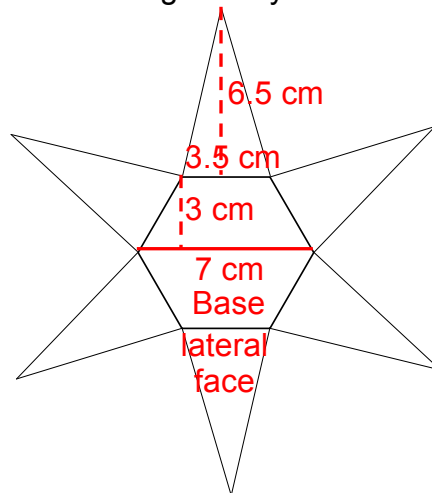
Note: The dimensions shown on each net were measured to the nearest half of a centimeter. Changes in the dimensions may occur when the nets are copied. A small diagram of each net with the measured dimensions given in centimeters is provided below.

Pentagonal Pyramid



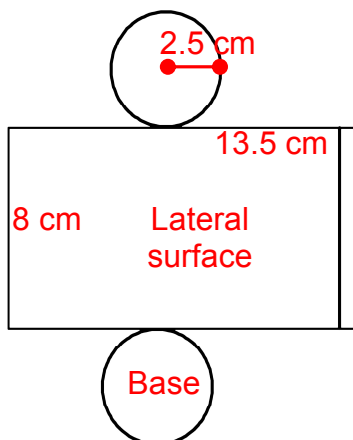
Base: 1 pentagon
Divided pentagon into a triangle and trapezoid:
Base of triangle = 6.5 cm
Height of triangle = 2.5 cm
Trapezoid: $b_1 = 4$ cm; $b_2 = 6.5$ cm; $h = 3.5$ cm
Lateral triangular faces – 5 triangles:
5 congruent triangles: $b = 4$ cm; $h = 6.5$ cm

Hexagonal Pyramid



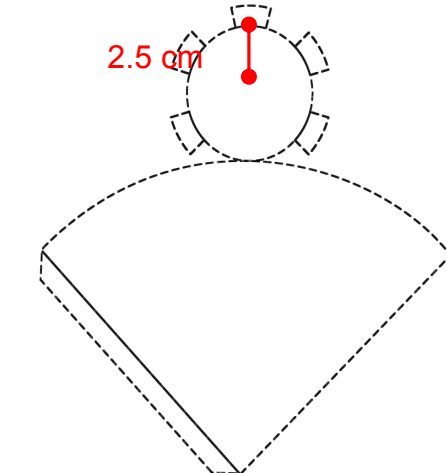
Base: 1 hexagon
Divided hexagon into 2 congruent trapezoids:
Trapezoid: $b_1 = 3.5$ cm; $b_2 = 7$ cm; $h = 3$ cm
Lateral triangular faces – 6 triangles:
6 congruent triangles:
Base = 3.5 cm; height = 6.5 cm

Cylinder



Base: 2 circles
Radius = 2.5 cm
Lateral surface: curved surface flattened into a rectangle

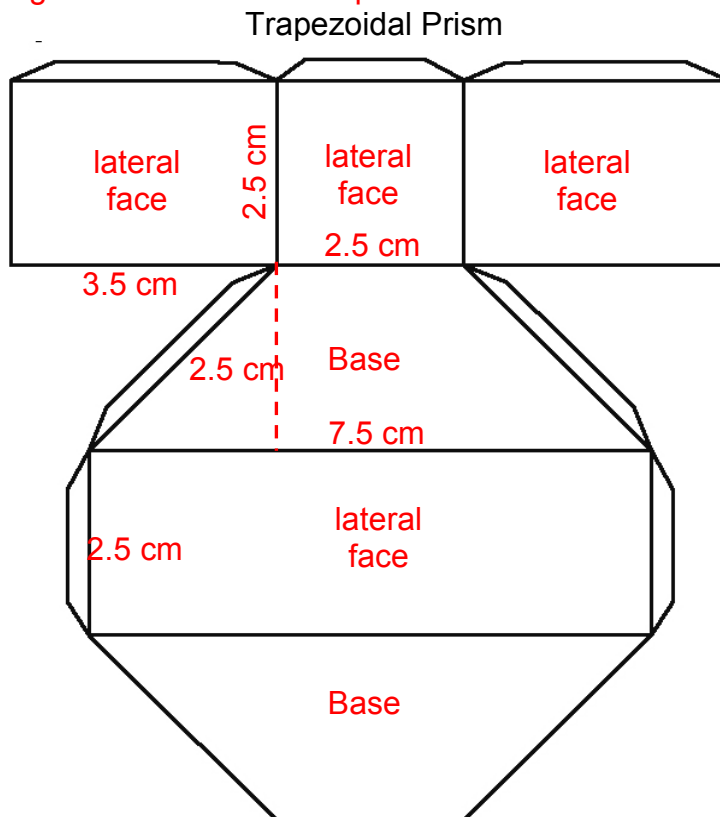
Cone



Base: 1 circle
Radius = 2.5 cm
Lateral surface: curved surface
Perpendicular height of cone = 8 cm

Templates for Three-Dimensional Figures **KEY**

Note: The dimensions shown on each net were measured to the nearest half of a centimeter. Changes in the dimensions may occur when the nets are copied. A small diagram of each net with the measured dimensions given in centimeters is provided below.



Base: 2 congruent trapezoids

Trapezoid: $b_1 = 2.5$ cm; $b_2 = 7.5$ cm; $h = 2.5$ cm

Lateral rectangular faces – 4 rectangles:

2 congruent rectangles: 2.5 cm x 3.5 cm

1 square: 2.5 cm x 2.5 cm

1 rectangle: 2.5 cm x 7.5 cm