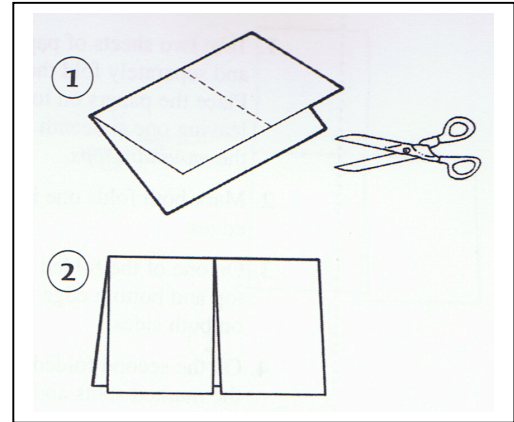


Two-Tab Book For Animal Cell vs. Plant Cell

1. Fold paper in half twice and unfold it once. Cut up the *valley* of the inside fold toward the *mountain top*. This cut forms two large tabs that can be used front and back for writing and illustrations.
2. This is what it should look like after the cut.



You are making a book representing *animal cell vs. plant cell*.

You will be comparing and contrasting.

- Must be drawn by you.
- Must be in color.
- Organelles must be labeled.
- Use a double bubble map on the inside to illustrate the differences and similarities between the two.
- Make sure that what you write on the inside corresponds with the picture on the outside.
- Must be neat!

