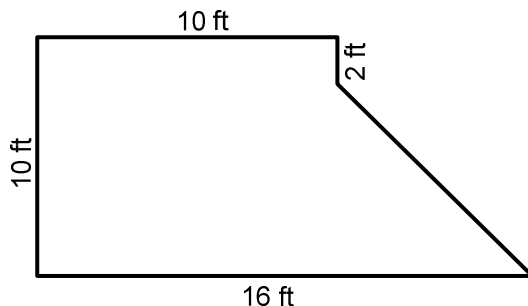


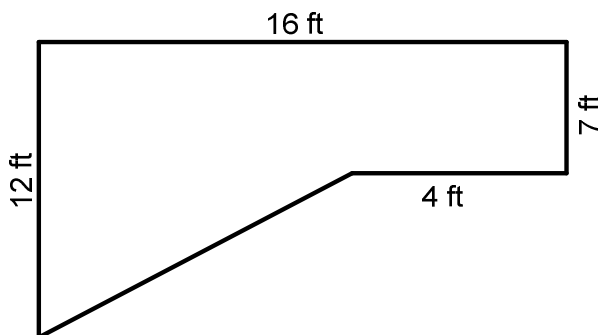
Irregular Measurement and Nets

Write down the formula(s) that is used to work each problem. Work the problem and justify your response.

1. The following diagram is a model of Miranda's bedroom. How many square feet of carpeting will be needed for Miranda's bedroom? How much border will be needed to go around the perimeter of the bedroom?

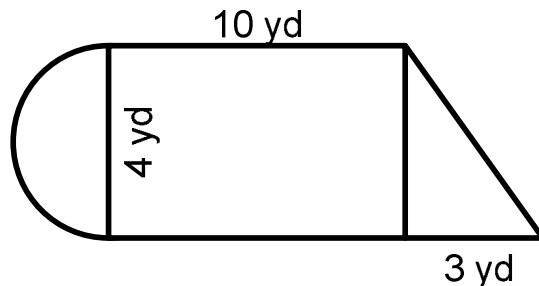


2. The following diagram is a model of a small closet Mark uses at home. What is the area of this closet? What is the perimeter of the closet?

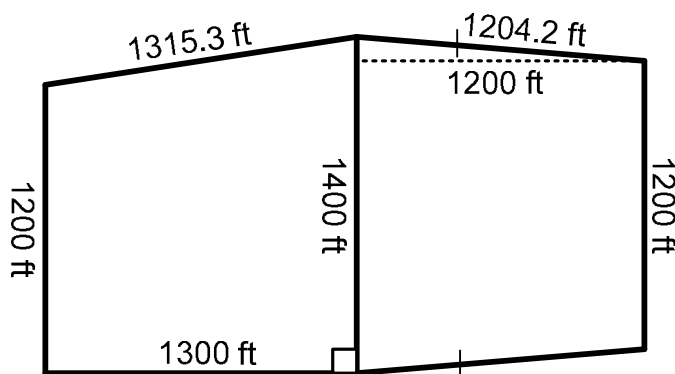


Irregular Measurement and Nets

3. The area shown below will be used for the elementary school playground. What is this area? How much fencing is needed to enclose the playground? Use 3.14 for the value of pi.



Use a calculator to answer problems 4 and 5 using the figure below.



4. Mr. Scherer alternates his cattle between the two trapezoid shaped pastures. What is the area of the two pastures?
5. How much fencing is needed to enclose the two pastures?