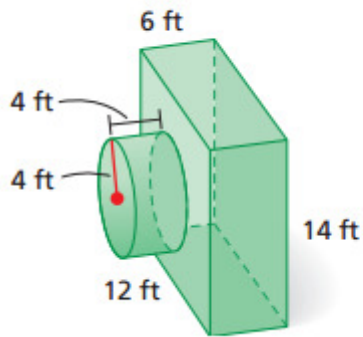
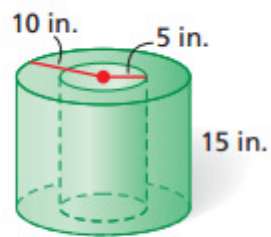


Find the volume of each composite figure. Round to the nearest tenth.

11.

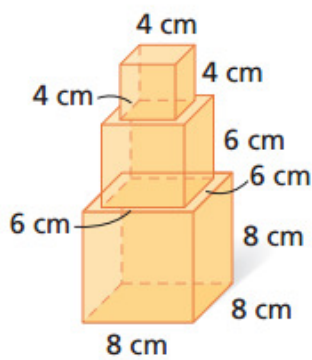


12.

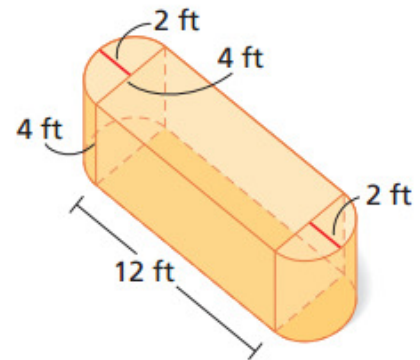


Find the volume of each composite figure.

22.

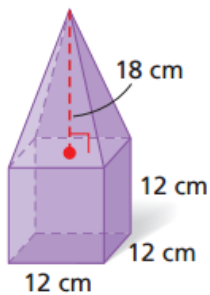


23.

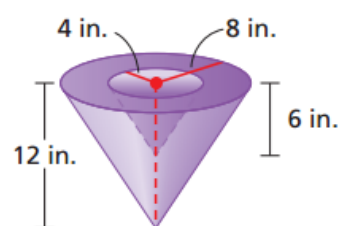


Find the volume of each composite figure. Round to the nearest tenth, if necessary.

11.

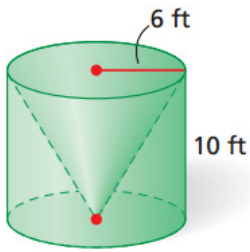


12.

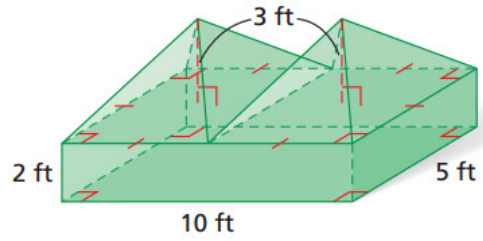


Find the volume of each composite figure. Round to the nearest tenth, if necessary.

22.

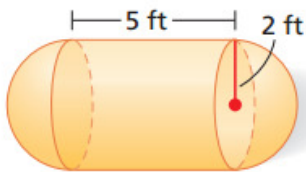


23.

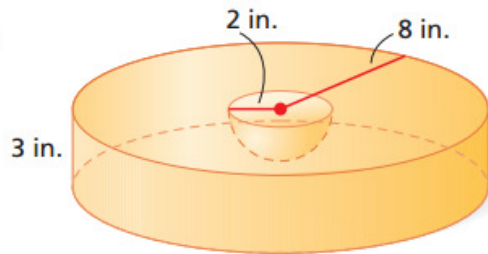


Find the surface area and volume of each composite figure.

11.

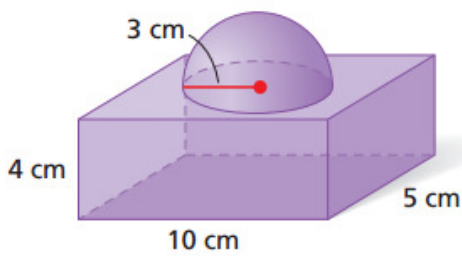


12.



Find the surface area and volume of each composite figure.

22.



23.

